



ARAFEX
GLOBAL

TRACTOR OEM
SPARE
PARTS

PRODUCT CATALOGUE



ABOUT US

At **ARAFEX GLOBAL**, we are dealing in all type of **Tractors, Tractor Spare Parts, and Industrial Equipment** across global markets. As a trusted partner, we deliver **Quality, Reliability, And Cost-Effective Solutions** for agricultural and industrial needs.

We believe in building **Long-Term Business Partnerships** through **Trust, Transparency, And Timely Delivery**. With ARAFEX GLOBAL, you get more than products—you gain a partner for growth.

Our Product Range Including but not limited to:

- Various Brands Tractors
- Engine Assemblies & Components
- Clutch & Transmission Parts
- Axles & Differentials
- Hydraulic Pumps & Jacks
- Brake Systems & Steering Parts
- Industrial Tools & Machinery
- Heavy Equipment Spare Parts
- Industrial Grease & Lubricants
- And all the spare parts related to Tractors and Industrial Equipment's

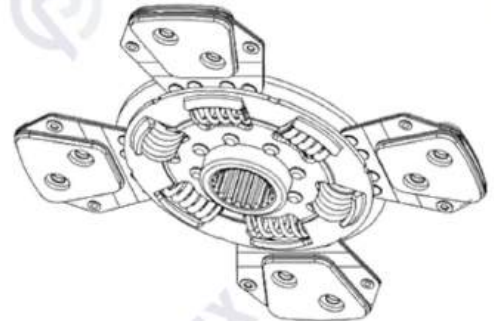
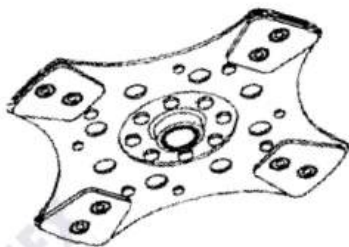
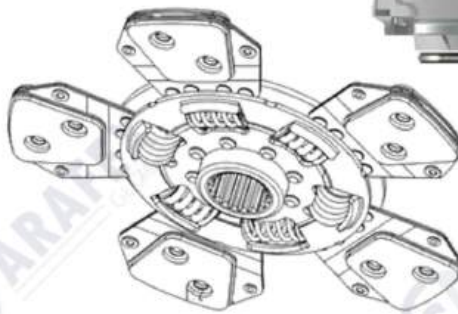
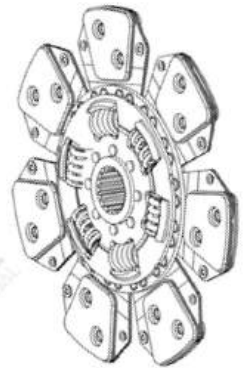
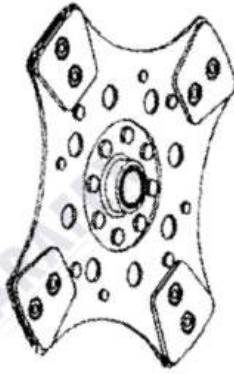
ALL TYPES FILTER ASSEMBLY



ALL TYPES PUMP ASSEMBLY



ALL TYPES CLUTCH PARTS



STARTER ALTERNATOR & RADIATOR



REAR AXLE & GEAR PARTS



TRANSMISSION GEAR PARTS



WAGON HITCH AND SELECTIVE CONTROL VALVE ASSEMBLY (2 & 4 WAY)



HOOD PANEL & SEAT





ARAFEX

GLOBAL

Why Choose ARAFEX GLOBAL?

- *Wide Product Range - All major tractor and industrial parts under one roof*
- *Assured Quality - Sourcing from trusted manufacturers*
- *Competitive Pricing - Value without compromise*
- *Global Reach - Serving clients across diverse markets*



Corporate Office

F6, Shivalik Arcade, Nr. Kalikund Hospital,
Ta- Dholka, Dist. Ahmedabad - 382225,
Gujarat, India

